

## LM-305WC-N19

MANUAL SERIES

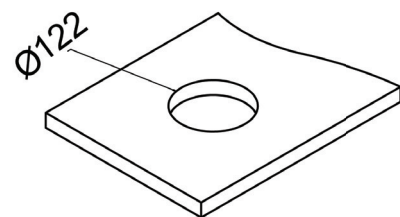
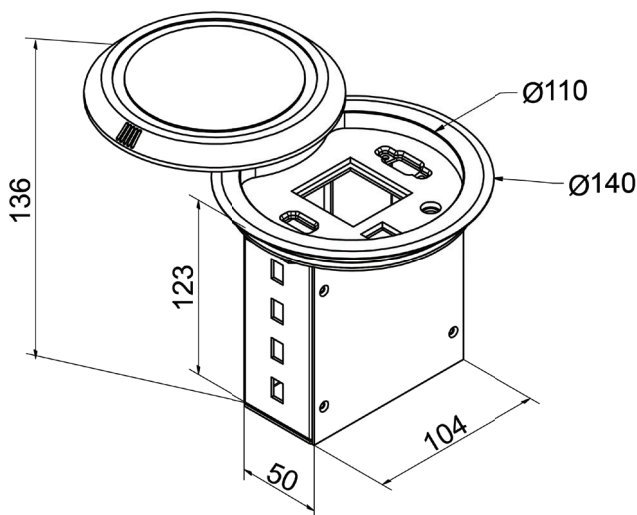


### Features

- LM-305WC-N19 is a compact cable manager solution designed for installation into a table as part of a presentation system.
- The product can be mounted into a table and podium to provide a way to connect audio visual equipments.
- Soft opening with comfort and safety.
- Equipped with slide open cover system.
- The product is made up of steel and aluminium.
- Product Weight : 1.5 kg
- Shipping Weight : 1.8 kg
- Shipping Dimension : 180 x 180 x 200 mm (L x W x H)
- Colour available : Black

### Connectivity

- 1 x Universal Power
- 1 x Wireless Charger
- 1 x RJ45 Network
- 1 x VGA
- 1 x 3.5 mm Audio
- 1 x HDMI 2.0 v



\*Dimensions in mm