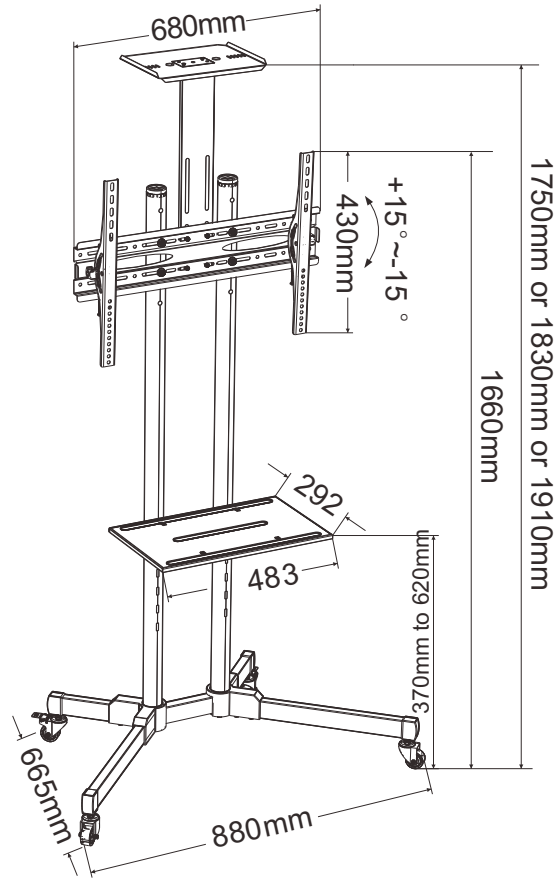


FLOOR MOUNT

LG-OPEL



Features

- Universal in design to fit 32" to 55" displays
- The Floor mount can hold the weight up to 32 kg
- +15° to -15° of screen tilt for better viewing angles
- Adds a top tray and adjustable middle ledge to carry A/V equipment
- VESA compliant
- Colour available :- Black

Specification

Max. load	71 lbs (32 kg)
VC Camera Mount	Yes
VESA	200 x 200 to 600 x 400
Display Sizes	32" to 55"
Material	Steel
Product Weight	14 kg
Shipping Weight	17 kg
Shipping Dimension (L x W x H)	1520 x 340 x 100 mm

*Dimensions in mm